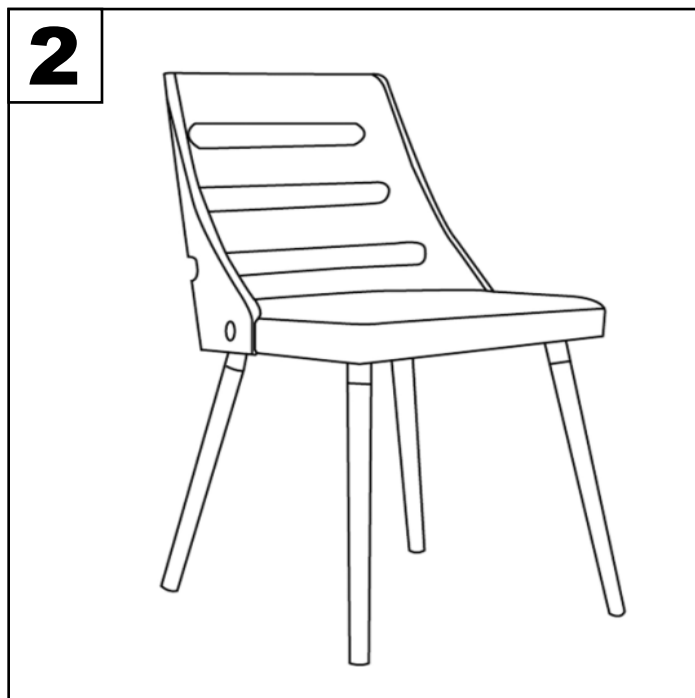
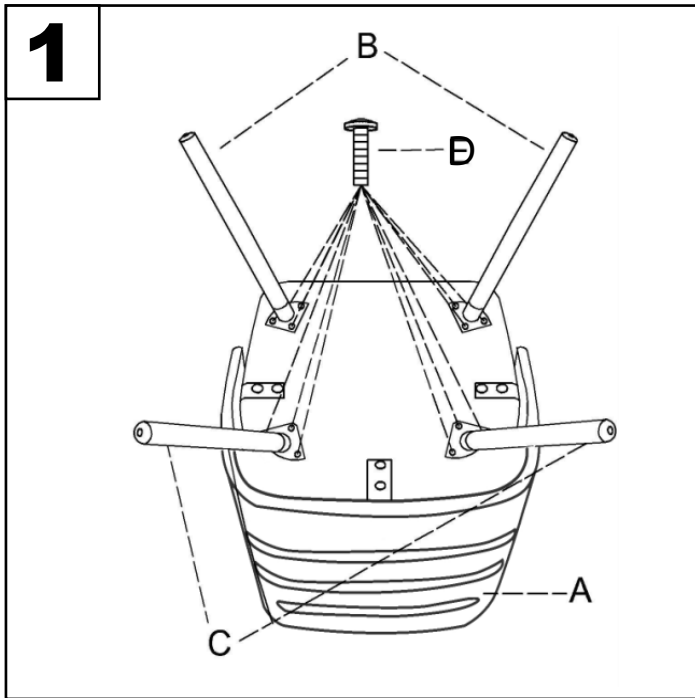


Part # CH-TRV XX + XX

120315

**PARTS**

A: Chair seat  
 B: Leg attachment arm  
 C: Leg attachment arm  
 D: Bolt (x 12+1, 6x20mm)  
 E: L-shaped bracket



Do not over tighten.  
 Do not use power tools to assemble.